

For 3rd overtone oscillation Low frequency deviation KH9835ALy

Overview

KH9835ALy is composed of an oscillation amplifier and a three-state output buffer. Oscillation amplifier is supplied with voltage regulator output apart from VDD. The voltage supply separation builds low frequency variation with supply voltage VDD. ESD and latch-up test have complied with AEC-Q100 standard.

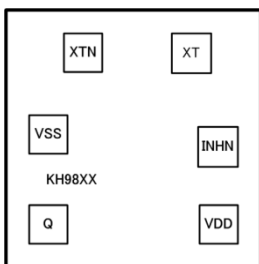
Features

Operating Voltage	1.6 to 3.63V
Operating Temperature	-40 to 85°C
Standby Mode INHN="L"	Q Output "Hi-z" Oscillation Stopped
INHN Input Voltage Level	C-MOS
Q Output Duty Level	C-MOS
Q Output Current	8mA (VDD=2.25V)
Q Output Load (Drive Capacity)	15pF

Device Selection Table

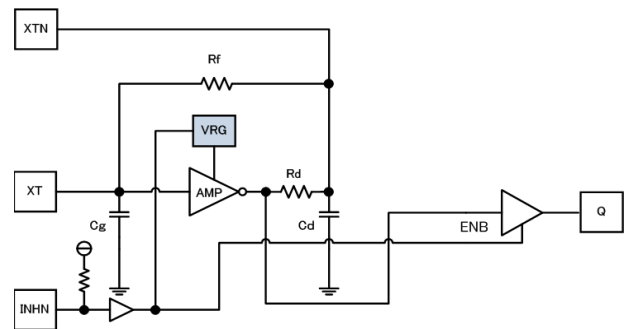
Version	Output frequency (3rd Overtone)
KH9835ALA	90 to 140MHz
KH9835ALB	120 to 160MHz

PAD Locations



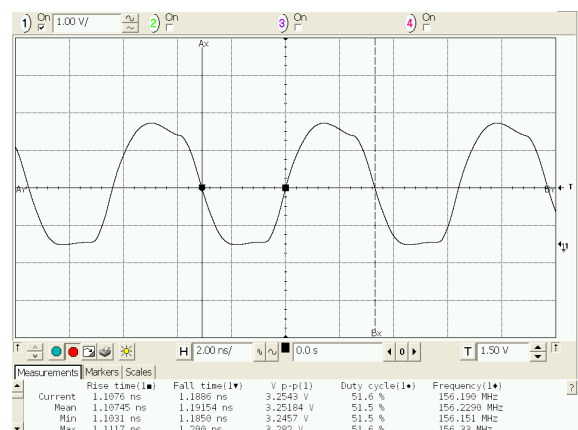
Chip Size	0.74×0.67mm
PAD Size	90×90um
Chip Thickness	130±20um
Chip Base	VSS Level

Block Diagram



Output waveform

156MHz CL=15pF VDD=3.0V



Reliability

Test Model		Performance Values
ESD	HBM	>4000V
	MM	>400V
	FI-CDM	>1000V
Latch-up	Current Test	>200mA
	Voltage Test	>5.4V

Notes: The document is a brief data sheet of the product.

Please contact with us by email for detailed data sheet, when needed.